

## TEMPERATURE MAINTENANCE SYSTEMS

## FX/CDM3 Hygrothermostat



### Characteristics

Electronic regulator with digital display **FX/CDM3**

- Power supply 230 V +/- 10%, 50/60 Hz.
  - Current rating 16 A.
  - Fit on DIN rail.
  - Dimensions: 106 x 90 x 58 mm (6 modules).
  - Ingress protection code IP20.
  - LCD display 2 lines of 16 characters.
  - 3 adjustment buttons: MENU / VALUE / ENTER.
  - Temperature range preset from 0 to +6°C.
  - After run time preset from 10 min to 24 hours.
  - Temperature unit in °C or °F.
  - Operating time counter.
  - Switching contact for alarm messages 230v - 2A.
  - Ambient temperature: -20 to +50°C.
  - Alarm messages on display.
  - Program menu available in following languages: Deutsch, English, Français, Suomi, Svenska, Cesky, Dutch, Magyar, Italiano, Turkce and Polski.
- For others characteristics, refer to instructions given with the product.

FX/CDM3



FX/CDM3/TEMP



FX/CDM3/NEIGE



FX/CDM3/PARK



FX/BOITIER/2



Option **FX/BOITIER/2**

- Box IP 65 (195 x 195 x 110 mm) for hygrothermostat.

### Applications

The **FX/CDM3** hygrothermostat is used to control permanently the presence of snow or black ice in gutters or access ramps, parking...

The heating cables are powered according to the outside temperature and the presence of humidity.

The energy required is calculated by an interval timer switch.

This regulator is particularly adapted for installations which need a precise management of energy.

Equipped with a switching contact for alarm messages, it allows a permanent control of your installations.

Use for freeze protection of gutter:

**FX/CDM3 + FX/CDM3/TEMP + FX/CDM3/NEIGE**

Use for freeze protection of access ramps:

**FX/CDM3 + FX/CDM3/TEMP + FX/CDM3/PARK**

### Standards

CEI 62395-2    NF P 52-302-1 + annex A1    NF P 52-302-2 (DTU 65.7)

External temperature sensor **FX/CDM3/TEMP** :

- Dimensions: Dia. 9 mm, length 35 mm, wall fixation
- Power cable of 4m (can be extended up to 50 m with 2x1.5mm<sup>2</sup> cable).

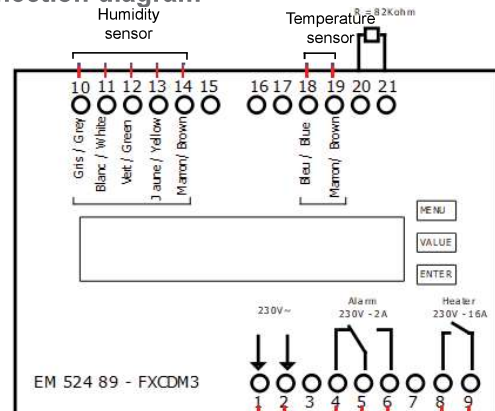
Humidity sensor **FX/CDM3/NEIGE** :

- Use for freeze protection for roof and gutter.
- Dimensions: box 225 x 108 x 13 mm.
- Ingress protection code IP68.
- Length of conductor cable 4 m (can be extended up to 50 m with 5x1.5mm<sup>2</sup> cable).
- The sensor is automatically heated to transform snow into humidity.

Humidity sensor **FX/CDM3/PARK** :

- Use for freeze protection for of access ramps.
- Dimensions: Dia. 70 mm / high 40mm.
- Ingress protection code IP68.
- Power supply by 15m long cable (can be extended up to 50 m with 5x1.5mm<sup>2</sup> cable)
- The sensor is automatically heated to transform snow into humidity.

### Connection diagram



#### FLEXELEC S.A.S

10, rue des frères Lumière  
Z.A. du Bois Rond  
69720 ST BONNET DE MURE - FRANCE  
Tél : + 33 (0)4.72.48.30.90

E-mail : flexelec@omerin.com

#### FLEXELEC Dept

OMERIN ASIA Pte Ltd  
51 Goldhill Plaza #08-11  
SINGAPORE 308900  
Tel : + 65.6255.4778  
Fax : + 65.6255.4779  
E-mail : sales@omerin.com.sg

#### FLEXELEC (UK) Ltd

Unit 11 Kings Park Industrial Estate  
Primrose Hill - KINGS LANGLEY  
Hertfordshire - WD4 8ST - UK  
Tel : + 44 (0) 1923.274477  
Fax : + 44 (0) 1923.270264  
E-mail : sales@omerin.co.uk

#### FLEXELEC Dept

OMERIN GmbH  
Buchwiese 16  
D-65510 IDSTEIN - GERMANY  
Tel : + 49 (0) 6126.94.31-0  
Fax : + 49 (0) 6126.83.999  
E-mail : omeringmbh@omerin.com