



FX/TM3 Electronic thermostats with double digital display

Characteristics

- Current rating 8 A (resistive) by changeover contact.
- Power supply from 100 to 240 V - 50/60 Hz.
- Accuracy +/- 1% of temperature range.
- Dimensions 70 x 87 x 61 mm, 4 DIN modules.
- Double temperature display (value and setup) at +/- 1°C.
- Adjustable differential from 1 to 30°C.
- Thermostat is fitted to a DIN rail (omega 3)
- The sensor can be extended and positioned 50m away from the thermostat (cable not included)
- Alarm up and down via free contact, current rating 8 A (resistive)
- Exposure temperature -5 to +55°C.
- Screw terminals for conductors up to 2,5mm².

Thermostat FX/TM3/140

- Temperature range: from - 5°C to + 140°C.
- PTC sensor.
- Sensor length: 3 m (can be extended up to 50m with 2x1,5mm² cable).

Thermostat FX/TM3/200

- Temperature range: from - 5°C to + 200°C.
- PT100 sensor.
- Sensor length: 3 m.



Applications

The range of FX/TM3 electronic thermostats allow precise control of temperatures.

To maintain a desired temperature of the pipes, tank or other container and their contents, a control device provides the following advantages:

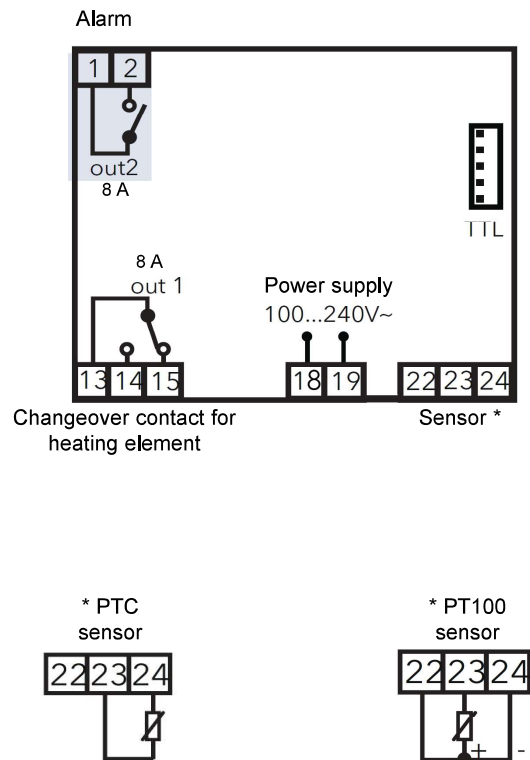
- the heating element is energised only when necessary.
- the heating element lifetime is increased.
- the heating element will not overheat.
- the energy consumed is kept to a minimum.

The FX/TM3 thermostat is fitted to a DIN rail (omega3) in an electrical cabinet or waterproof electrical junction box.

Standards

CEI 62395-2

Electrical connection diagram



Use

Consult the pages of the catalogue devoted to the corresponding general operating principles, general instructions for use and accessories.